

- NOTES:
- 1) MATERIAL: ALUMINUM 6061T ALLOY
 - 2) FINISH: ELECTROLESS NICKEL PLATING
 - 3) WEIGHT: <3.5 OZ (100gm MAX)
 - 4) COMPONENT TO BE HANDLED WITH ANTISTATIC PROTECTION
 - 5) WARRANTY VOID IF SEALS BROKEN
 - 6) DO NOT EXCEED OPERATION LIMITS
 - 7) OUTLINE SUBJECT TO UPDATE WITHOUT NOTICE

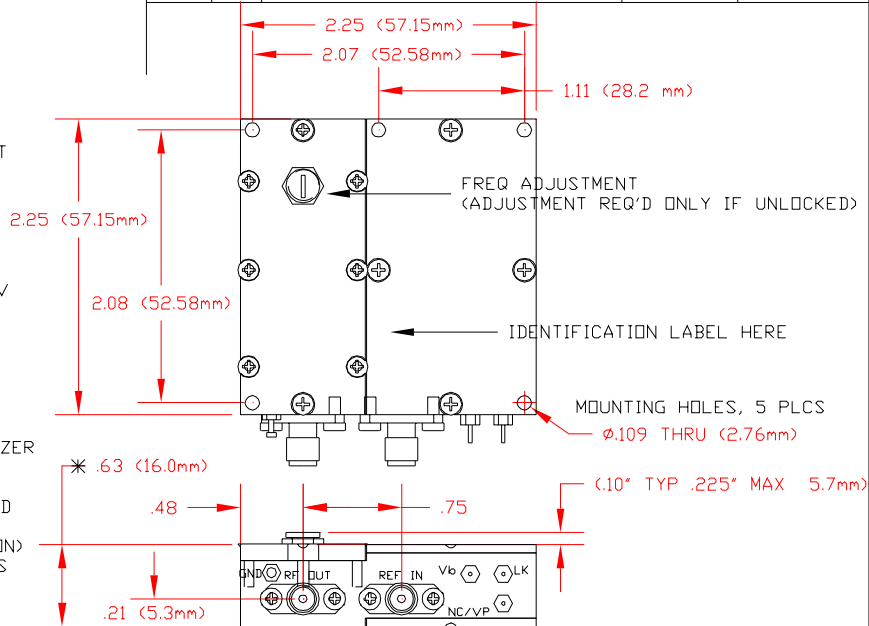
PIN FUNCTIONS:

RF OUT:
 REF IN: <100 MHZ NOMINAL INPUT>
 Vb: BIAS VOLTAGE (<+12V NOMINAL>
 LK LOCK DETECT, OPEN COLLECTOR, >2.5V LOCKED, <.8V UNLOCKED
 N/C: NORMALLY NOT COLLECTED, VP FOR PHASE VOLTAGE OPTION

- TURN ON PROCEDURES:
- 1) CONNECT EXTERNAL REFERENCE AT RECOMMENDED INPUT LEVEL
 - 2) CONNECT RF OUT TO SPECTRUM ANALYZER
 - 3) CONNECT DC GROUND TO GROUND LUG, APPLY DC POWER TO Vb PIN
 - 4) VERIFY PHASE LOCKED FREQUENCY AND OUTPUT POWER
 - 5) MONITOR LK (PHASE LOCKED INDICATION)
 - 6) CONSULT FACTORY FOR ANY QUESTIONS

* HEIGHT TO BE .75" UNDER 8 GHz

REVISIONS				
ZONE	REV	DESCRIPTION	DATE	APPROVED



NEXYN CORPORATION
 SANTA CLARA, CA USA

PHASE LOCKED DRO
 (EXTERNAL REFERENCE)

FILE#: DC200102_4

F. WONG

SIZE
 A

FSCM NO.

DWG NO.

DC200102

REV
 4

SCALE 1/1

7/2/01

SHEET 1 OF 1